

C-SERIES C6000E

COMBiLiFT

LIFTING INNOVATION

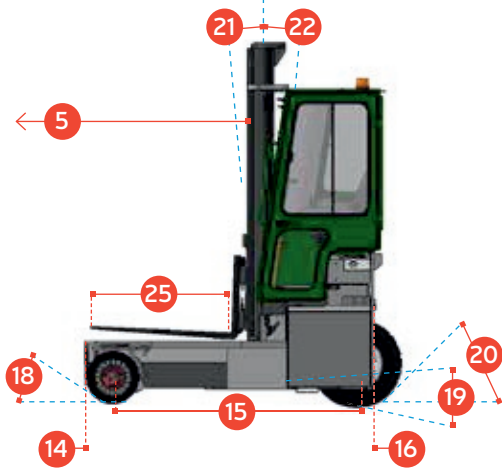
The electric multi-directional forklift designed for the safe, space saving and productive handling of long and bulky loads.



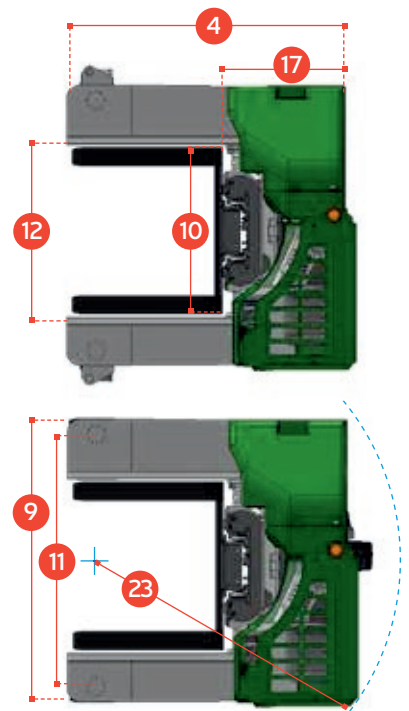
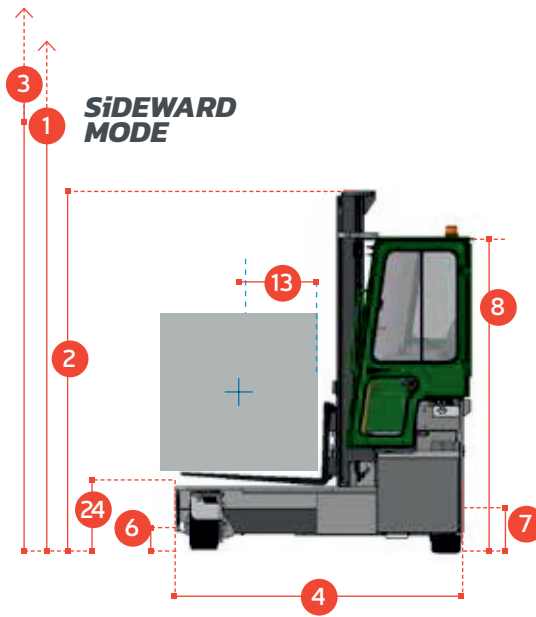
ncnielsen

C-SERIES C6000E

FRONTAL MODE



SI DEWARD MODE



REF.	DESCRIPTION	C6000 ET
1a	Max. Lift Height	4530mm
1b	Freelift Height	2170mm
2	Height Mast Closed	3280mm
3	Max. (Mast raised)	5640mm
4	Overall Length	2675mm
5	Mast Travel	1450mm
6	Ground Clearance Under Mast	150mm
7	Ground Clearance to Center of Wheelbase	325mm
8	Height Over Cab (without work lights)	2605mm
9	Width	2360mm
10	Outside Spread of Fork Arms	1350mm
11	Track Front	2120mm
12	Frame Opening	1400mm
13	Load Center Distance	600mm
14	Overhang Front	220mm
15	Wheelbase	2290mm
16	Overhang Back	135mm
17	Length From Face of Fork	1325mm
18	Approach Angle	45°
19	Ramp Angle	17°
20	Departure Angle	45°
21	Forward Tilt	3°
22	Backward Tilt	5°
23	Minimum Outside Radius	2685mm
24	Platform Height	500mm
25	Platform Length	1350mm

A	Capacity	6000 kg
B	Unladen Weight	7800 kg
C	Maximum Ground Speed	10 km/hr
D	Gradeability	10%
E	Battery Capacity	80 V / 700 Ah
F	Fork Section	200mm x 50mm x 1350mm
G	405 x 305 – 220 Front Tyre (Solid Rubber)	OD 405mm / Width 220mm
H	28 x 10 - 21 Rear Tire	OD 711mm / Width 255mm
I	Standard Color	Green & Grey
J	AC Electric Traction Motor x 3	80V / 5 kW Rear 2 x 80V / 2.5 kW Front
K	AC Electric Pump Motor	80 V / 19 kW

Multi-Directional



Features Include:

- Rubber Mounted Cabin
- AC Motor Technology
- Multi-Direction Operation
- Load Sensing Steering
- Curtis AC Software
- 4 Way Lever Positioning of Wheels
- 3 Wheel Drive

ncnielsen

Nørregade 66

7860 Balling

Telefon 99 83 83 83

www.nc-nielsen.dk • info@nc-nielsen.dk

International Patent Application No. PCT/EP2014/053066; UK Patent Application No. GB 1302811.3

COMBLIFT HAS A POLICY OF CONTINUOUS PRODUCT DEVELOPMENT AND RESERVES THE RIGHT TO ALTER SPECIFICATIONS WITHOUT PRIOR NOTICE. SPECIFICATIONS AND/OR DIMENSIONS MAY VARY FROM THOSE ILLUSTRATED IN SOME COUNTRIES.

nc-nielsen.dk